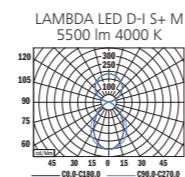


NEW

# LAMBDA MICROPRISMA LED + SENSOR



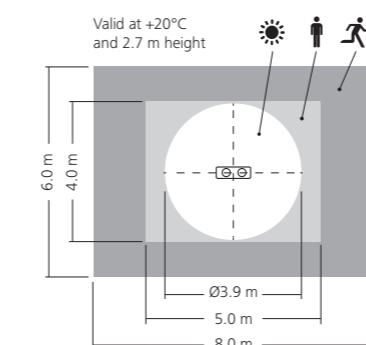
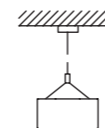
## PHOTOMETRY



LOR = 100%  
lower flux fraction 40%  
upper flux fraction 60%  
UGR <19



## MOUNTING



Valid at +20°C  
and 2.7 m height

## EXTENDED IR PROGRAMMING TOOL



## RS-S 58 L150 SQ (SQUARE SHAPE) OR RD (ROUND SHAPE)

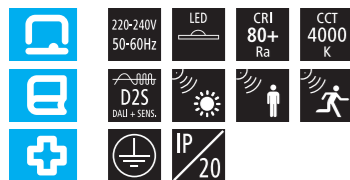


TYPE	NET LUMEN OUTPUT (at Ta = 25 °C) (lm)	POWER CONSUMPTION (W)	SYSTEM EFFICACY (lm/W)	COLOUR RENDERING INDEX CRI (Ra)	CORRELATED COLOUR TEMPERATURE CCT (K)	BEAM ANGLE (C0-180, C90-270)	WEIGHT (kg)	ORDER CODE
LAMBDA LED D-I S+ M	5500	37	149	80+	4000	70°, 87°	5.4	515069
LAMBDA LED D-I S+ L	6200	42	148	80+	4000	70°, 87°	6.4	515070

Luminous flux tolerance +/- 10%.

Extended IR Programming Tool	911001
Rope suspension RS-S 58 L150 SQ	903033
Rope suspension RS-S 58 L150 RD	903030

# Lambda Led D-I S+



Sensor Actilume gen2 is a true Plug and Play solution for open spaces but at the same time for office rooms. It works as a daylight sensor, motion sensor and sensor of presence. All in one.

It is used in a master/slave luminaire concept. It enable to control up to 30 luminaires and it includes Window and Touch Dim functions.

## EN

**Mounting**

Suspended (SSD)

**Optical system**

Microprismatic diffuser (MCD)

**Wiring**

Electronic control gear DALI + SENSOR (D2S)

External lead-in flexible cable

**Materials**

Housing: sheet steel

Diffuser: PMMA

**Surface finish**

Housing: white RAL 9003 (W03)

**Accessories**

IR Programming Tool

Rope suspension RS-S 58

**Service lifetime**

100,000 hours/L90/B10 (ta 25°C)

**Ambient temperature**

From 0°C to +35 °C

## DE

**Montage**

Hängend (SSD)

**Optisches System**

Mikroprismatischer Diffusor (MCD)

**Vorschaltgerät**

Elektronisches Vorschaltgerät DALI + SENSOR (D2S)

Artäre externe

**Externes Anschlusskabel**

Körper: Stahlblech

Diffusor: PMMA

**Oberflächenveredelung**

Körper: weiss RAL 9003 (W03)

**Zubehör**

IR-Programmierzweckzeug

Seilauflängung RS-S 58

**Lebensdauer**

100,000 Stunden/L90/B10 (ta 25°C)

**Umgebungstemperatur**

Von 0 °C bis +35 °C

## FR

**Montage**

Suspendu (SSD)

**Système optique**

Mikroprismatique (MCD)

**Équipement électrique**

Ballast électronique DALI + SENSOR (D2S)

Artère externe

**Matériels**

Corps: tôle d'acier

Diffuseur: PMMA

**Finition de surface**

Corps: blanc RAL 9003 (W03)

**Accessoires**

Outil de programmation IR

Câble de suspension RS-S 58

**Durée de vie utile**

100,000 heures/L90/B10 (ta 25°C)

**Température ambiante**

De 0 °C à +35 °C

## SK

**Montáž**

Závěsné (SSD)

**Optický systém**

Mikroprizmatický difúzor (MCD)

**Elektrická výbava**

Elektronický predradník DALI + SENSOR (D2S)

Prívodný napájací kábel

**Material**

Teleso: oceľový plech

Difúzor: PMMA

**Povrchová úprava**

Teleso: biela RAL 9003 (W03)

**Príslušenstvo**

IR programovací ovládač

Lankový záves RS-S 58

**Servisná životnosť**

100,000 hodín/L90/B10 (ta 25°C)

**Teplota okolia**

Od 0 °C do +35 °C

## ES

**Montaje**

Suspendidas (SSD)

**Sistema óptico**

Microprismático (MCD)

**Cableado**

Equipo de control electrónico DALI + SENSOR (D2S)

Cable alimentador externo

**Material**

Cuerpo: lámina de acero

Difusor: PMMA

**Tratamiento de la superficie**

Cuerpo: blanco RAL 9003 (W03)

**Accesorios**

Herramienta de programación IR

Cable de suspensión RS-S 58

**Vida útil**

100,000 horas/L90/B10 (ta 25°C)

**Temperatura ambiente**

Desde 0 °C a +35 °C

## IT

**Installazione**

A sospensione (SSD)

**Sistema ottico**

Microprismatico (MCD)

**Cablaggio**

Ballast elettronico DALI + SENSOR (D2S)

Cavetto di alimentazione esterno

**Materiali**

Corpo: lamina d'acciaio

Diffusore: PMMA

**Finitura**

Corpo: bianco RAL 9003 (W03)

**Accessori**

Strumento di programmazione IR

Cavo di sospensione RS-S 58

**Durata di vita**

100,000 ore/L90/B10 (ta 25°C)

**Temperatura d'ambiente**

Da 0 °C a +35 °C

## RU

**Установка**

Подвесная (SSD)

**Оптическая система**

Микропризматический рассеиватель (MCD)

**Электрическое оснащение**

Электронный аппарат DALI + SENSOR (D2S)

Внешний свинца в гибком кабеле

**Материал**

Корпус: листовая сталь

Рассеиватель: полиметилметакрилат

**Отделка поверхности**

Корпус: белый RAL 9003 (W03)

**Аксессуары**

IR инструмент программирования

Тросовый подвес RS-S 58

**Срок службы**

100,000 часов/L90/B10 (ta 25°C)

**Температура окружающей среды**

От 0 °C до +35 °C

OMS

5 YEARS WARRANTY

MAINTENANCE FREE

ECO FRIENDLY

ENERGY SAVING

UV/IR

EEC A++/A+/A

THE MANUFACTURER CONTINUES TO DEVELOP PRODUCTS THROUGHOUT THEIR LIFETIME. THEREFORE, THE COMPANY RESERVES THE RIGHT TO MODIFY MATERIALS, COMPONENTS, AND TECHNICAL PARAMETERS WITHOUT NOTICE. LUMINOUS OUTPUT AND ELECTRICAL LOAD HAVE AN INITIAL TOLERANCE OF +/- 10 % FROM NOMINAL. FAILURE OF ONE LED LIGHT POINT WITHIN A LUMINAIRE DOES NOT IMPAIR FUNCTIONAL PERFORMANCE AND SO IS NOT CLASSIFIED AS REASON FOR COMPLAINT.